



**Technical data**

**Housing**

Made of shock-proof technopolymer with double insulation   
 Complete with emergency stop mushroom head push button  
 First lateral knock out conduit entry PG 13,5 / M20x1,5 / 1/2 NPT  
 Second lateral knock out conduit entry PG 11 / 3/8 NPT  
 Knock out conduit entry from bottom PG 13,5 / M20x1,5 / 1/2 NPT  
 Protection degree: IP65  
 Stainless steel fixing cap screws

**Actuator**

Ambient temperature: from -25°C to +70°C  
 Mechanical endurance: 300.000 operations cycles

**Cross section of the conductors (flexible copper wire)**

Contact block: min. 1 x 0,75 mm<sup>2</sup> (1 x AWG 18)  
 max. 1 x 2,5 mm<sup>2</sup> (1 x AWG 14)

**In conformity with standards:**

IEC 947-5-1, EN 60947-5-1, CEI EN 60947-5-1, EN 418, UL 508

**Contacts**

Double cutoff, positive opening NC contacts in conformity with IEC 947-5-1, terminals with retained screws system and self-lifting plates. Terminal clamps supplied unscrewed, with protection degree IP20. Made of self-extinguish material V0 according to UL 508.

**Markings:**



**In conformity with requirements requested by:**

Low Voltage Directive 73/23/EEC and subsequent modifications and completions.  
 Machinery Directive 98/37/EEC.  
 Electromagnetic Compatibility 89/336/EEC and subsequent modifications and completions.

**Positive contact opening in conformity with standards:**

IEC 947-5-1, EN 60947-5-1, CEI EN 60947-5-1, VDE 0660-206.

**Electrical data**

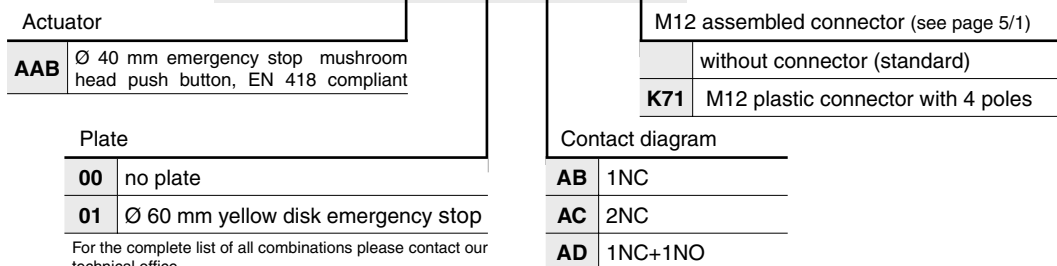
**Utilization categories**

without connectors	Thermal current (Ith):	16 A	Alternate current: AC15 (50÷60 Hz)						
	Rated insulation voltage (Ui):	500 VAC 600 VDC	Ue (V)	24	60	110	230	400	500
	Pollution degree:	3	Ie (A)	16	12	8	6	4,5	3
with 4 poles M12 connectors	Thermal current (Ith):	4 A	Alternate current: AC15 (50÷60 Hz)						
	Rated insulation voltage (Ui):	250 VAC 300 VDC	Ue (V)	24	110	230			
	Pollution degree:	3	Ie (A)	4	4	4			
			Direct current: DC13						
			Ue (V)	24	48	60	110	220	
			Ie (A)	2	1,2	0,85	0,4	0,25	
			Alternate current: AC15 (50÷60 Hz)						
			Ue (V)	24	110	230			
			Ie (A)	4	4	4			
			Direct current: DC13						
			Ue (V)	24	110	220			
			Ie (A)	2	0,4	0,25			

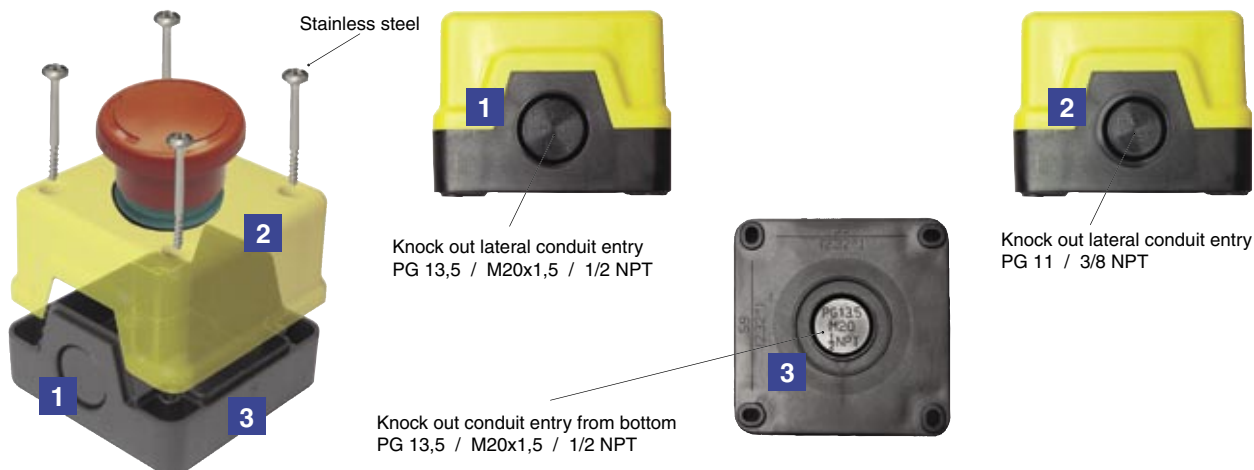
**Code structure**

**Attention!** The feasibility of a code number does not mean the effective availability of a product. Please contact our sales office.

**CC 01AAB00AB-K71**

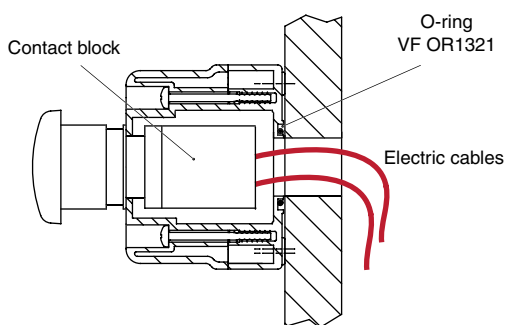


### Conduit entries disposition

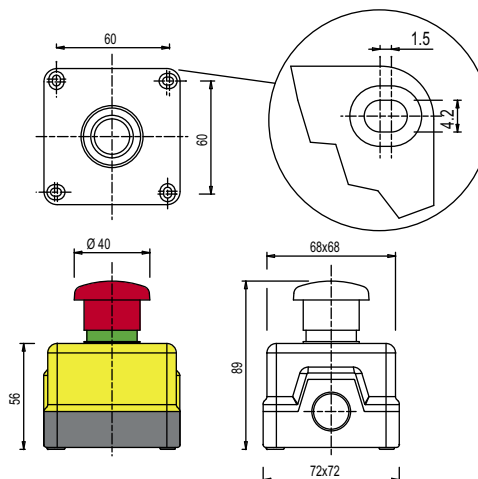


### Knock out conduit entry from bottom

Using the bottom entry for wiring, it is possible to keep the protection degree IP65 using an O-ring (art. VF OR1321) placed in the seat as you can see in the image below.

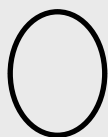


### Dimensional drawings



### Accessories

Articles	Description	Pack
VF OR1321	Oil resistant rubber O-ring	10 pcs



### Versatility

The boxes CC series have fixing holes designed in square form, in order to orient conduit entries towards the easier side for the installation. The double nick in the cap allows to install the push button in two orthogonal positions. The symmetric cap allows to orient the conduit entries of the box towards the easier side without changing the button orientation on the cover.

