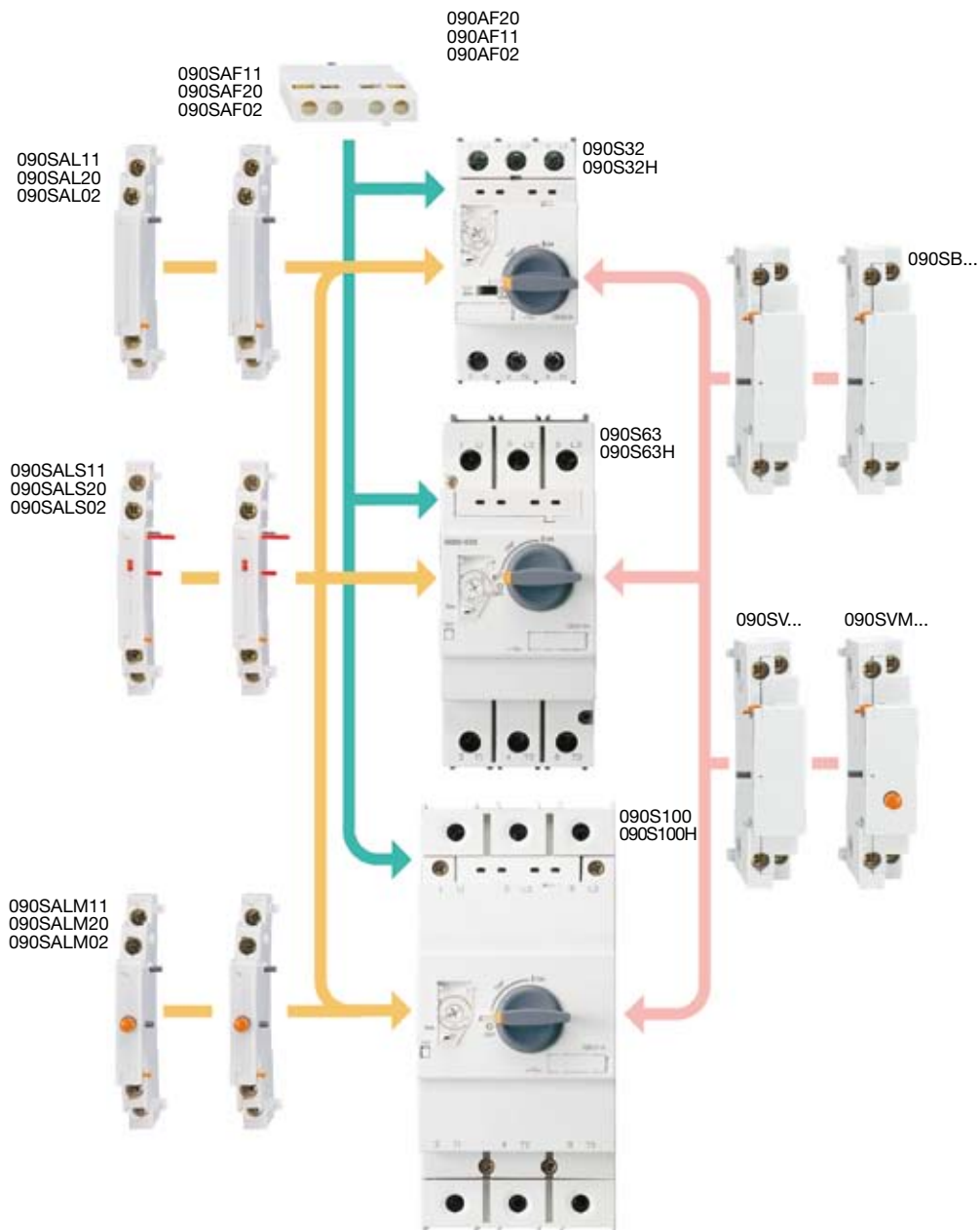




LAY-OUT INTERRUPTORI AUTOMATICI - MANUAL MOTOR STARTERS LAY-OUT





Contattori, relè termici, minicontattori, interruttori salvamotore

Contactors, thermal o/l relays, minicontactors, manual motor starters

INTERRUTTORI AUTOMATICI SALVAMOTORE - MANUAL MOTOR STARTERS



SEZIONI SECTIONS	32		63		100	
Taratura [A] Setting range [A]	0,32	0,36	1,00	1,00	2,20	2,20
0,1-0,16	090S32-016	090S32H-016				
0,16-0,25	090S32-025	090S32H-025				
0,25-0,4	090S32-04	090S32H-04				
0,4-0,63	090S32-063	090S32H-063				
0,63-1	100 090S32-01	090S32H-01				
1-1,6	KA 090S32-1V6	090S32H-1V6				
1,6-2,5	090S32-2V5	100 090S32H-2V5				
2,5-4	090S32-4	090S32H-4				
4-6	090S32-6	090S32H-6				
5-8	090S32-8	090S32H-8				
6-10	50 090S32-10	090S32H-10				
9-13	KA 090S32-13	090S32H-13				
11-17	090S32-17	090S32H-17				
14-22	25 090S32-22	090S32H-22				
18-26	KA 090S32-26	090S32H-26				
22-32	20 090S32-32	090S32H-32				
28-40			25 090S63-40	090S63H-40	50 090S63H-40	
34-50			KA 090S63-50	090S63H-50	090S63H-50	
45-63			090S63-63	090S63H-63		
55-75					50 090S100-75	090S100H-75
70-90					100 090S100-90	090S100H-90
80-100					090S100-100	090S100H-100

ACCESSORI / ACCESSORIES



0,018	1NO+1NC	2NO	2NC
Contatto ausiliario frontale / Front mounting auxiliary contact			
	090SAF11	090SAF20	090SAF02
0,030	1NO+1NC	2NO	2NC
Contatto ausiliario laterale ⁽¹⁾ / Side mounting auxiliary contact ⁽¹⁾			
	090SAL11	090SAL20	090SAL02
0,040	1NO+1NC	2NO	2NC
Contatto ausiliario laterale di segnalazione intervento magnetico e/o termico ⁽¹⁾ / Side mounting alarm contact (any trip) ⁽¹⁾			
	090SALS11	090SALS20	090SALS02
0,040	1NO+1NC	2NO	2NC
Contatto ausiliario laterale di segnalazione intervento magnetico ⁽¹⁾ / Side mounting alarm contact (magnetic trip) ⁽¹⁾			
	090SALM11	090SALM20	090SALM02
0,110	Bobina di sgancio a distanza ⁽²⁾ Shunt release	Bobina di minima tensione ⁽²⁾ Undervoltage release	Bobina di minima tensione con contatti ausiliari anticipati 2NO ⁽²⁾⁽³⁾ Undervoltage release with switch with 2NO ⁽²⁾⁽³⁾ advanced auxiliary contacts
24V 50Hz / 28V 60 Hz	090SB24	090SV24	090SVA24
110...127V 50Hz / 120V 60 Hz	090SB110	090SV110	090SVA110
220...230V 50Hz / 240...260V 60 Hz	090SB230	090SV230	090SVA230
240V 50Hz / 277V 60 Hz	090SB240	090SV240	090SVA240
380...400V 50Hz / 440...480V 60 Hz	090SB400	090SV400	090SVA400
415...440V 50Hz / 460...480V 60 Hz	090SB440	090SV440	090SVA440

(1) Montaggio a sinistra

(2) Montaggio a destra

(3) Montaggio solo su interruttore con manopola rotativa

(1) Side mounting on the left

(2) Side mounting on the right

(3) Mounting only rotary handle